

**63596**  
Vesicular Poikilitic Impact Melt  
6.4 grams



*Figure 1: Phot of 63596. Sample is 2 cm across. NASA S80-37419.*

**Introduction**

63596 is a rake sample with a fine-grained poikilitic texture where pyroxene oikocrysts surround laths of plagioclase. It is clastic and vesicular (figure 2).

Norman et al. (2006) used the Ar/Ar plateau technique to date 63596 (figure 3).

There are 3 thin sections.

**References for 63596**

Butler P. (1972) Lunar Sample Information Catalog Apollo 16. Lunar Receiving Laboratory. MSC 03210 Curator's Catalog. pp. 370.

Korotev R.L. (1996c) On the relationship between the Apollo 16 ancient regolith breccias and feldspathic fragmental breccias, and the composition of the prebasin crust in the Central Highlands of the Moon. *Meteor. & Planet. Sci.* **31**, 403-412.

LSPET (1973) The Apollo 16 lunar samples: Petrographic and chemical description. *Science* **179**, 23-34.

LSPET (1972) Preliminary examination of lunar samples. Apollo 16 Preliminary Science Report. NASA SP-315, 7-1—7-58.

Norman M.D., Duncan R.A. and Huard J.J. (2006) Identifying impact events within the lunar catalysm from <sup>40</sup>Ar-<sup>39</sup>Ar ages and compositions of Apollo 16 impact melt rocks. *Geochim. Cosmochim. Acta* **70**, 6032-6049.

Ryder G. and Norman M.D. (1980) Catalog of Apollo 16 rocks (3 vol.). Curator's Office pub. #52, JSC #16904

Stöffler D., Ostertag R., Reimold W.U., Borchardt R., Malley J. and Rehfeldt A. (1981) Distribution and provenance of

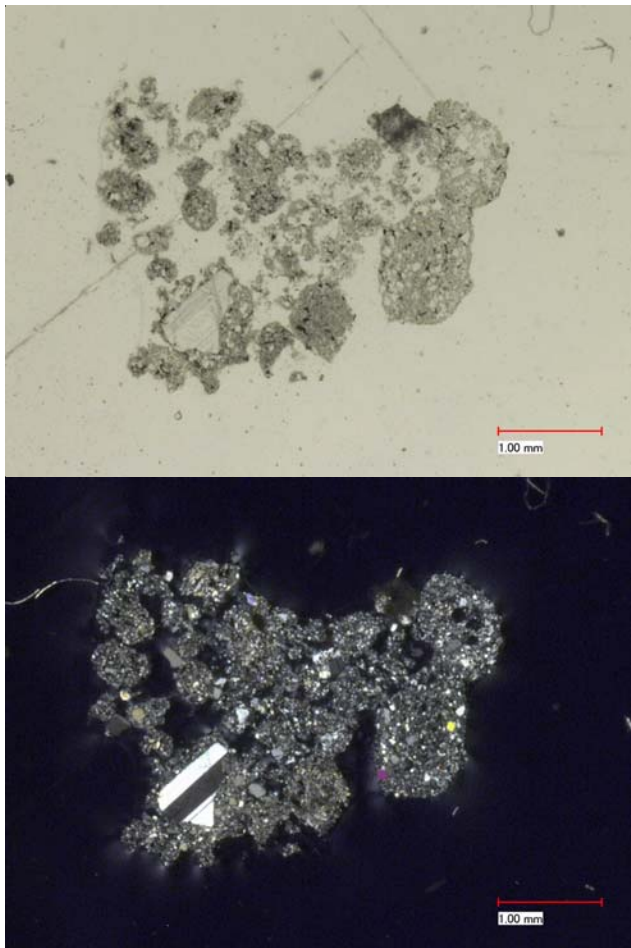


Figure 2: Photomicrographs of thin section 63596,3 by C Meyer @50x.

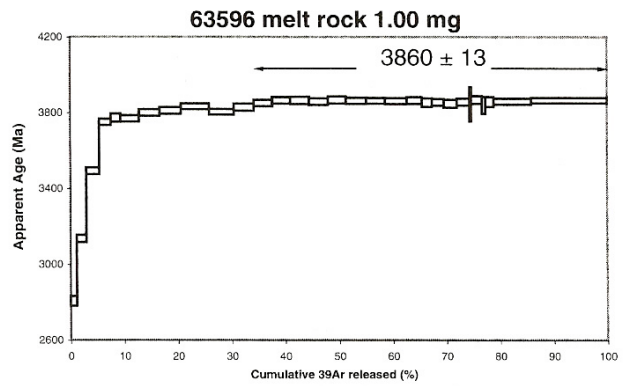
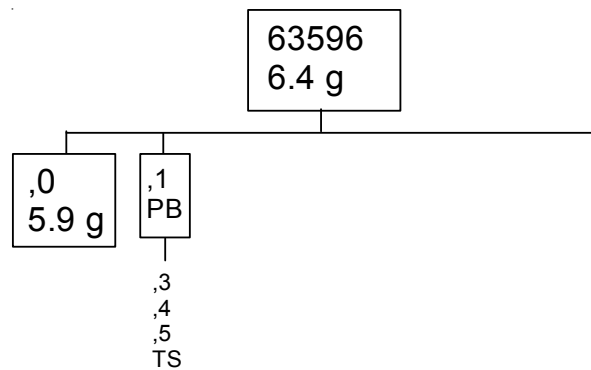


Figure 3: Ar/Ar plateau diagram for 63596 (Norman et al. 2006).



lunar highland rock types at North Ray Crater, Apollo 16. *Proc. 12<sup>th</sup> Lunar Planet. Sci. Conf.* 185-207.

Stöffler D., Bischoff A., Borchardt R., Burghelle A., Deutsch A., Jessberger E.K., Ostertag R., Palme H., Spettel B., Reimold W.U., Wacker K. and Wanke H. (1985) Composition and evolution of the lunar crust in the Descartes highlands. *Proc. 15<sup>th</sup> Lunar Planet. Sci. Conf.* in *J. Geophys. Res.* **90**, C449-C506.

Sutton R.L. (1981) Documentation of Apollo 16 samples. In *Geology of the Apollo 16 area, central lunar highlands.* (Ulrich et al.) U.S.G.S. Prof. Paper 1048.