

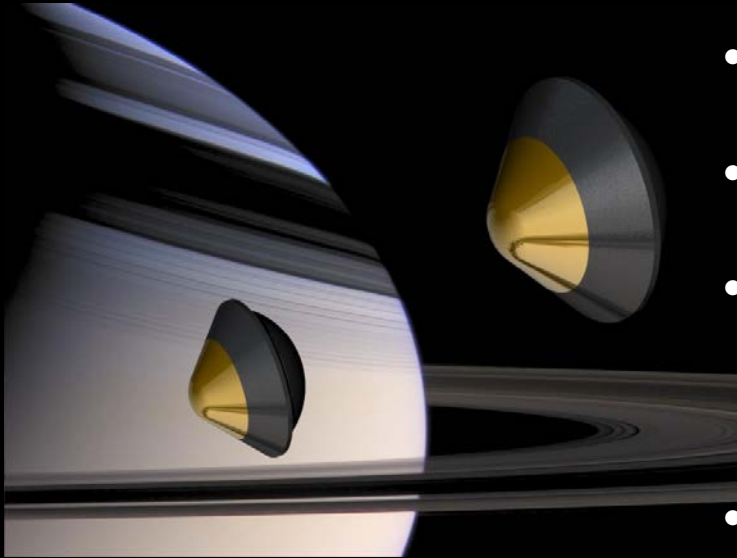


Net Flux Radiometer for Hera Saturn Probe

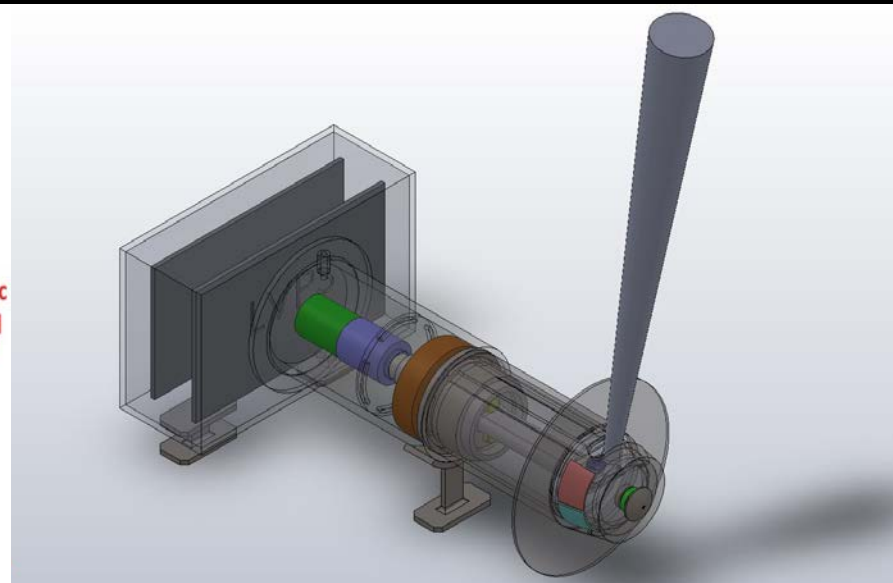
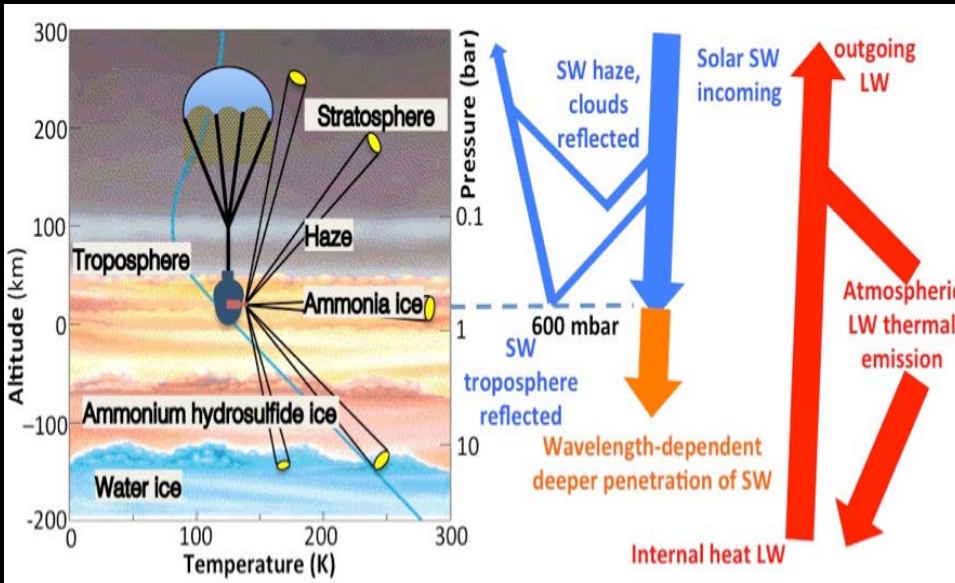
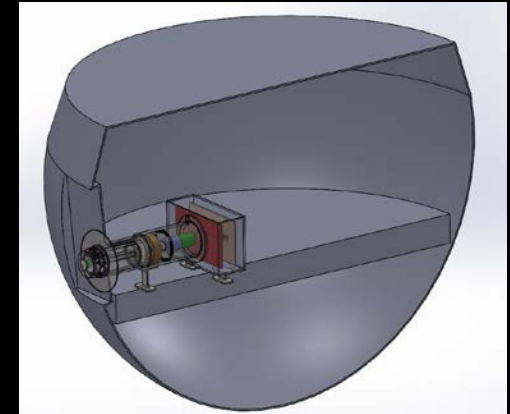
S. Aslam, C. A. Nixon, M. Amato, O Mousis, D. Atkinson



Goddard Space Flight Center



- Hera Saturn probe proposed for ESA M5 call
- Jan 27th selected for second round study
- NFR investigates atmospheric energy balance, complementing Galileo Probe.
- Visible and IR channels.



NASA GSFC April 3-5 2017



Invited speakers:

Burr (U. Tenn.)
Cattling (U. Wash.)
Griffith (U. Arizona)
Kara (UCLA)
Mastrogiuseppe (U. Rome)
debaugh (BYU)
John Trainer (GSFC)
John Turtle (JHU APL)

Scientific Organizers

Conor Nixon (NASA)
Ralph Lorenz (JHU)
Sarah Hörst
Catherine
(U. Western Ontario)
Kathleen Menzies

Abstract deadline: 2/22/17 - Today!
[gonline.com/titaniv](http://www.gonline.com/titaniv)